

050-1911 8mm Single Rotor Latch - Single Position and Integrated State Sensing



TriMark's newest innovation in rotary latches features a robust modular design that offers extensive actuation locations and options providing application flexibility in a compact design. This product includes an integrated door position switch that indicates electrically the door positions - door ajar/door secure. Designed for medium to heavy-duty applications for on or off-highway applications, this single position latch is designed for non FMVSS 206 (ECE R11) configurations.

DESIGNED FOR:

- Applications where it is desirable to have a single position rotary latch and electrically identify the door position
- Interior door thickness of 45-57mm (1.77-2.25"). Depending on the actuator type and location the overall height could be greater. Please contact TriMark for specific details.
- Medium to heavy duty doors of 23-81 kg (50 -175 lbs.) with maximum door seal pressure of 36 kg (80 lbs.)

Global Locations:

TriMark Corporation
500 Bailey Avenue
P.O. Box 350
New Hampton, Iowa 50659
United States
Tel: 641-394-3188
Fax: 641-394-2392
1-800-447-0343
www.trimarkcorp.com

TriMark Europe
Cedar Court
Walker road
Bardon Hill
Coalville LE67 1TU
United Kingdom
Tel: +44(0)1530 512460
Fax: +44(0)1530 512461
www.trimarkeu.com

TriMark (Xuzhou)
Building A5 Jingwu Road
Xuzhou Economic
Development Zone
Xuzhou, Jiangsu
221004 PR China
Tel: +86 516 8773 0018
Fax: +86 516 8773 0058
www.trimarkcn.com



TriMark. Interactive. Product. Selector



TriMark



TriMark Corporation

FEATURES/BENEFITS:

- Modular case construction is preconfigured with multiple actuation points on the front case allowing top/bottom actuation including stacked actuators as well as combinations of actuation points providing the most configurable rotary door latch ever designed
- Compact size and shape allows maximum use of door space and minimizes visibility issues without compromising strength and robustness
- Rotor provides for vertical clearance of strike allowing for door sag, misalignment and ease of installation
- Two versions are available for non FMVSS 206 (ECE R11) applications:
 - ◊ Integrated door position switch that is closed when latch is fully open - indicates when latch is not latched in either primary or secondary conditions (door ajar)
 - ◊ Integrated door position switch that is closed when latch is fully closed - indicates when latch is completely latched (door secure in primary latched condition)
- 8mm diameter automotive style hoop-type strike minimizes clothing snag hazard

AVAILABLE:

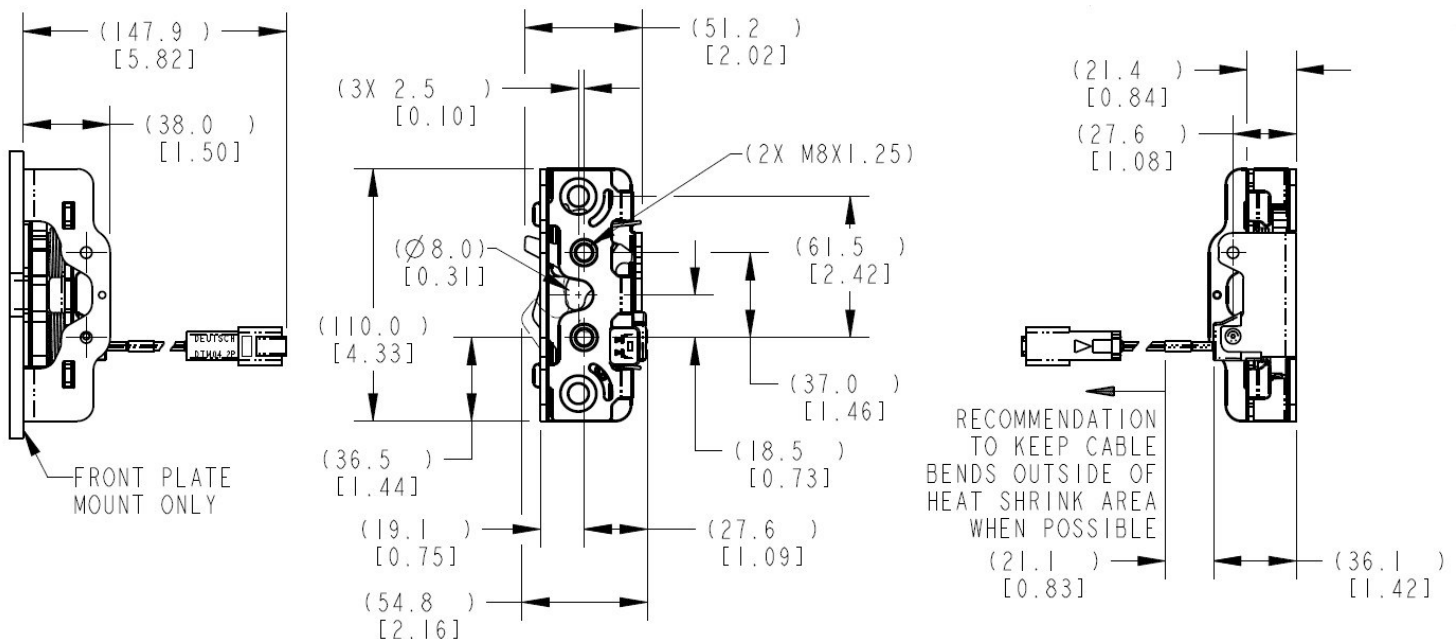
- In left or right hand configurations (right hand shown)
- Versions are available to allow direct actuation from exterior push button or pull handles and interior releases providing a simple, low cost and compact application
- Platform allows for reuse of TriMark's extensive selection of existing actuation levers reducing application engineering and tooling requirements
- Several actuator return spring options
- Coaxial actuator mechanism for applications where it is desirable to provide additional support to the actuation levers
- Innovative barrel release for ease of use/installation
- Future provisions for power release mechanisms and logic mechanism
- Standard Deutsch DTM04-2P connector shown (others available upon request)

ELECTRICAL:

- Integrated magnetic reed switch offers durable and reliable, sand and freeze detection tripping mechanism designed to last the life of the product
 - ◊ Contact Rating 10 W
 - ◊ Switching voltage 200 V Max
 - ◊ Switching current 0.5 Amp Max
 - ◊ Carry current 1.0 Amp Max
 - ◊ Shock 50g Max
 - ◊ Vibration 20g Max 10-2000 Hz
 - ◊ Temperature rating -20 to 85° C

For more information visit
www.trimarkcorp.com

Base Latch Shown Without Actuators



ALL DIMENSIONS ARE FOR
REFERENCE USE ONLY.



050-1911 8mm Single Rotor Latch - Single Position and Integrated State Sensing

MATERIAL:

- Case halves: high strength steel
- Rotor and catch: heat treated steel
- Springs: non-corrosive stainless steel

FINISH:

- Zinc plated, clear chromate steel components

INSTALLATION:

- Easy to install, mounts with (2) M8 x 1.25 class 8.8 or better fasteners are required (not included)
- Tighten to manufacturers' recommended torque value, however, do not exceed 26.0 N-m (230.1 in-lbs)

USE WITH:

- TriMark 070-1000 8mm Hoop Strike
- TriMark 070-1300 Adjustable Striker

U.S. Patent Nos. 10,676,967 / 10,697,207

Individual part dimensions are for reference only. Refer to individual part drawings for complete dimensions, specifications, and installation procedures. Engineering assistance and application drawings are available.

CAUTION: Single position rotary latches do not comply with FMVSS 206 (ECE R11) requirements

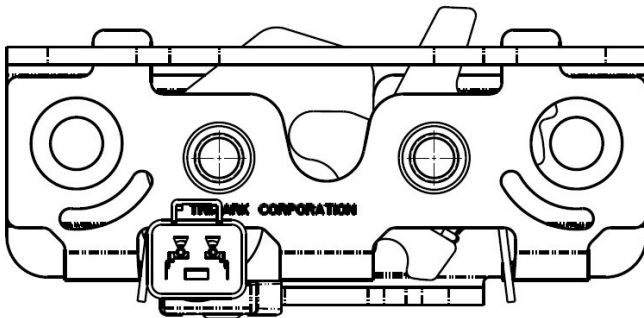
070-1000 8mm Hoop Strike





070-1300 Adjustable Striker

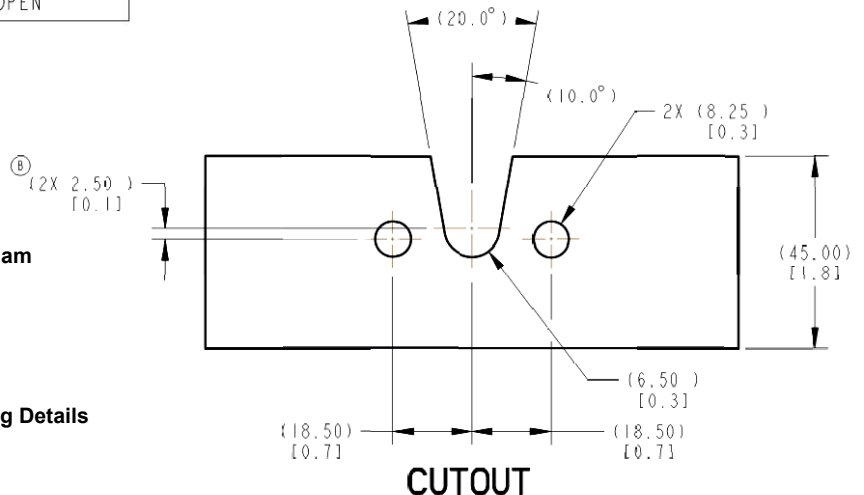


SWITCH ACTIVATION
(LATCH SHOWN IN PRIMARY CLOSED POSITION)



LATCH POSITION	SWITCH STATE	
	TO INDICATE DOOR-SECURE 	TO INDICATE DOOR-AJAR 
1 (FULL OPEN)	OPEN	CLOSED
2 (SECONDARY CLOSED)	OPEN	OPEN
3 (PRIMARY CLOSED)	CLOSED	OPEN

Barrel Actuation With Direct Release Cam and Top Direct Release Actuator



Mounting Details

CUTOUT



050-1911 8mm Single Rotor Latch - Single Position and Integrated State Sensing

Modular construction with multiple actuation points allows top/bottom actuation including stacked actuators as well as combinations of actuation points.

